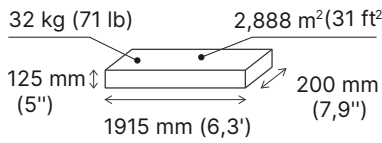
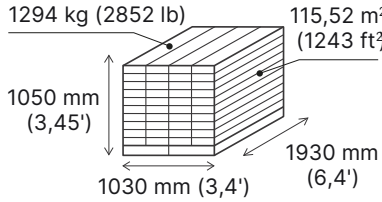


HARDWOOD FLOORING



TECHNICAL DETAILS


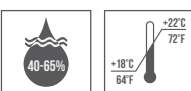
Notes:	Pattern: Plank 	Color: Wax
---------------	---	-------------------

PRODUCT INFO		PACKAGING		STRUCTURE
Species	White European Oak	BOX		2-layer Engineered Construction * Solid wood 4 mm ** Plywood *** * High Balance and Stability ** Saw Cut White European Oak *** Birch water resistant plywood
Finish	UV Silk			
Structure	Engineered (2-layer)			
Joint	T&G			
Bevel	Micro (0,5 mm)			
Surface	Light Brush	PALLET		
Grade	Character			
DIMENSIONS				
Thickness	15 mm (5/8")			
Width	190 mm (7,5")			
Row Length	1900 mm (6,25')			
Shorts	25%			

FINISH	Description
Sheen \ Gloss	Matte
Look	Semi-open pores, wire brushed
Feeling	Transfer warmth of natural wood
Type	UV cured modified polyurethane-acrylate
Wear resistance	High
Scratch resistance	Medium
Slip resistance	50 (SRV dry)
Resistance to chemical agents	Class 5 (Except blue ink)
Maintenance	Maintenance free
Repairability	Easy

TECHNICAL INFORMATION			
Characteristics (EN 14342)		Deviations (EN 13489)	
Formaldehyde emission class	E1; ULEF	Deviation on Thickness	0,2 mm
Pentachlorophenol content	None	Deviation on Width	0,2 mm
Thermal resistance	0,118 m ² K\W	Height Difference	0,2 mm
Thermal conductivity	0,161 W\ (m K)	Cup	<0,2% of width
Fire resistance	Dfl-s1	Bow	<0,5% of length
		Spring	<0,1% of length

PRODUCT USE

INSTALLATION	STORAGE & USE
 <p>Glue down over concrete, plywood or wooden subfloor or nail down over wooden subfloor. Semifloating installation as well. Applicable above, on and above ground level. Suitable for underfloor heating.</p>	 <p>Air Humidity 40-65% Temperature +18°C ... +22°C (64°F ... 72°F)</p>

CARE & MAINTENANCE	DESCRIPTIONS & IMAGERY
Maintenance of hardwood floors with UV Silk assumes normal (daily if necessary) cleaning from dust and grit using a vacuum, followed by a thorough cleaning with floor cleaner. Floor surface areas that receive the most traffic and get worn down quicker, such as areas by the front door, hallways, kitchens etc, should be periodically renewed with oil.	Flooring colors displayed in digital platforms may vary according to the color settings of the monitor you are using.

